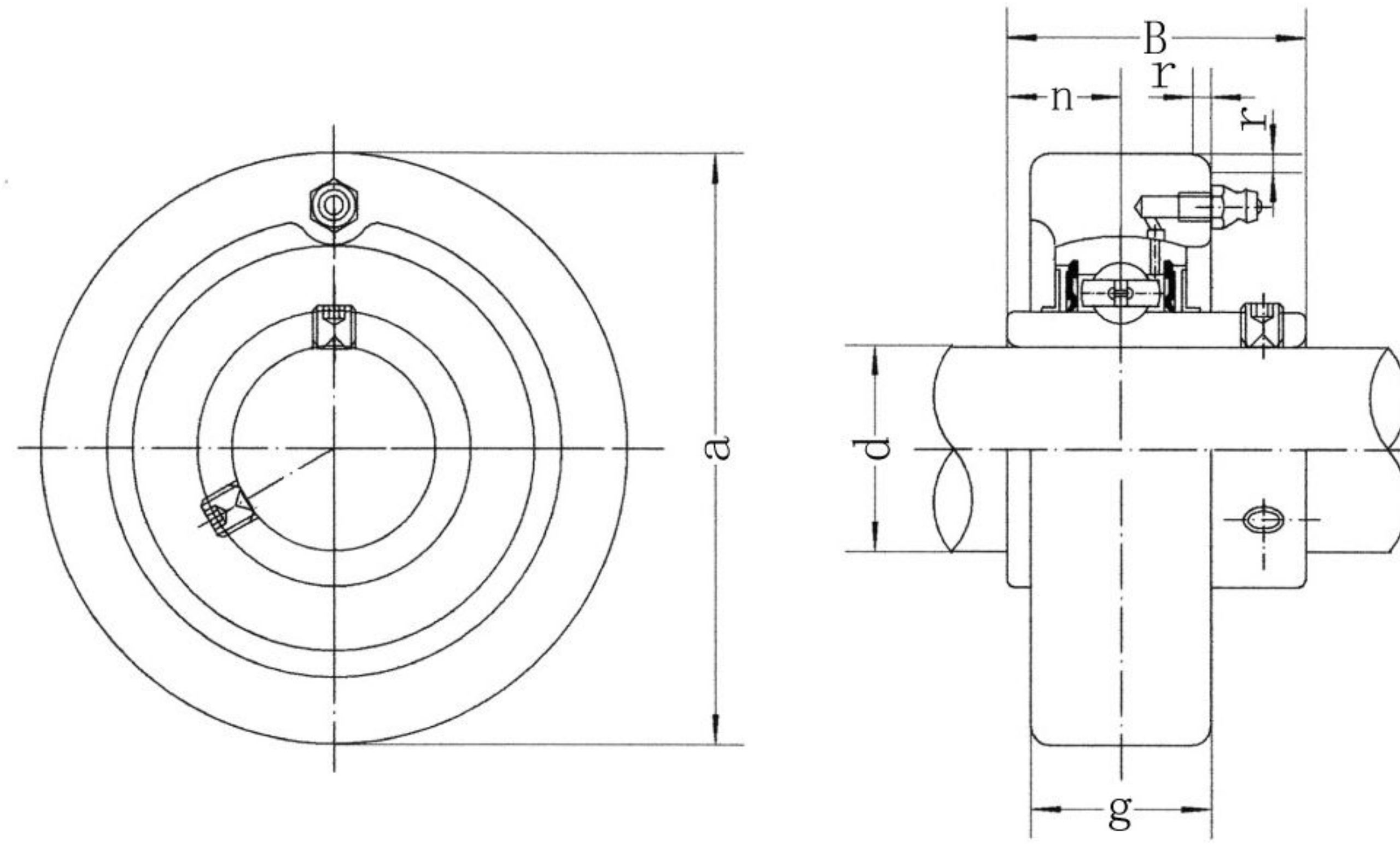


Cartridge Units

UCC3 (Heavy-duty)



Unit No.	Dimensions ^{mm} _{inch}						Bearing No.	Housing No.	Weight (kg)
	d	a	g	r	B	n			
UCC305	25	90	26	2.5	38	15	UC305	C305	1.10
UCC305-13	13/16	3.5433	1-1/32	0.098	1.4961	0.591	UC305-13		1.15
UCC305-14	7/8						UC305-14		1.13
UCC305-15	15/16						UC305-15		1.11
UCC305-16	1						UC305-16		1.10
UCC306	30						100	28	2.5
UCC306-17	1-1/16	3.9370	1-7/64	0.098	1.6929	0.669	UC306-17	1.45	
UCC306-18	1-1/8						UC306-18	1.42	
UCC306-19	1-3/16						UC306-19	1.40	
UCC307	35						110	32	3
UCC307-20	1-1/4	1.3307	1-1/64	0.118	1.8897	0.748	UC307-20	1.86	
UCC307-21	1-5/16						UC307-21	1.83	
UCC307-22	1-3/8						UC307-22	1.80	
UCC307-23	1-7/16						UC307-23	1.78	
UCC308	40						120	34	3
UCC308-24	1-1/2	4.7244	1-11/32	0.118	2.0472	0.748	UC308-24	2.25	
UCC308-25	1-9/16						UC308-25	2.21	
UCC309	45						130	38	3.5
UCC309-26	1-5/8	2.1181	1-1/2	0.138	2.441	0.866	UC309-26	2.81	
UCC309-27	1-11/16						UC309-27	2.77	
UCC309-28	1-3/4						UC309-28	2.72	
UCC310	50						140	40	3.5
UCC310-29	1-13/16	5.118	1-37/64	0.138	2.4015	0.866	UC310-29	3.62	
UCC310-30	1-7/8						UC310-30	3.39	
UCC310-31	1-15/16						UC310-31	3.33	
UCC311	55						150	44	3.5
UCC311-32	2	5.9055	1-47/64	0.138	2.5984	0.984	UC311-32	1.08	
UCC311-33	2-1/16						UC311-33	4.01	
UCC311-34	2-1/8						UC311-34	3.95	
UCC311-35	2-3/16						UC311-35	3.87	
UCC312	60						160	46	3.5
UCC312-36	2-1/4	6.2992	1-13/16	0.138	2.7953	1.024	UC312-36	4.95	
UCC312-37	2-5/16						UC312-37	4.87	
UCC312-38	2-3/8						UC312-38	4.78	
UCC312-39	2-7/16						UC312-39	4.70	
UCC313	65						170	50	3.5
UCC313-40	2-1/2	6.6929	1-31/32	0.138	2.9528	1.181	UC313-40	5.89	
UCC313-41	2-9/16						UC313-41	5.89	
UCC314	70						180	52	4
UCC314-42	2-5/8	7.0866	2-3/64	0.157	3.0709	1.299	UC314-42	6.82	
UCC314-43	2-11/16						UC314-43	6.71	
UCC314-44	2-3/4						UC314-44	6.61	
UCC315	75						190	55	4
UCC315-45	2-13/16	7.4803	2-11/64	0.157	3.2288	1.260	UC315-45	8.07	
UCC315-46	2-7/8						UC315-46	7.93	
UCC315-47	2-15/16						UC315-47	7.84	
UCC315-48	3						UC315-48	7.71	
UCC316	80						200	60	4
UCC316-49	3-1/16	7.8740	2-23/64	0.157	3.3858	1.339	UC316-49	9.22	
UCC316-50	3-1/8						UC316-50	9.08	
UCC316-51	3-3/16						UC316-51	8.99	
UCC317	85						215	64	4
UCC317-52	3-1/4	8.4646	2-33/64	0.157	3.7795	1.575	UC317-52	11.19	
UCC317-53	3-5/16						UC317-53	11.06	
UCC317-55	3-7/16						UC317-55	10.74	
UCC318	90						225	66	4
UCC318-55	3-7/16	8.8583	2-19/32	0.157	3.7795	1.575	UC318-55	12.25	
UCC318-56	3-1/2						UC318-56	12.07	
UCC319	95						240	72	4
UCC319-58	3-5/8	9.4488	2-53/64	0.157	4.0551	1.614	UC319-58	15.33	
UCC319-59	3-11/16						UC319-59	15.15	
UCC319-60	3-3/4						UC319-60	14.96	
UCC320	100						260	75	4
UCC320-64	4	10.2362	2-61/64	0.157	4.2519	1.645	UC320-64	19.4	
UCC322	110	300	80	5	117	46	UC322	C322	29.2
		11.8110	3-5/32	0.197	4.6063	1.811			
UCC324	120	320	90	5	126	51	UC324	C324	35.9
		2.5984	3-35/64	0.197	4.9606	2.008			
UCC326	130	340	100	5	135	54	UC326	C326	43.0
		13.3858	3-15/16	0.197	5.3150	2.126			
UCC328	140	360	100	5	145	59	UC328	C328	52.9
		14.1732	3-15/16	0.197	5.7086	3.323			