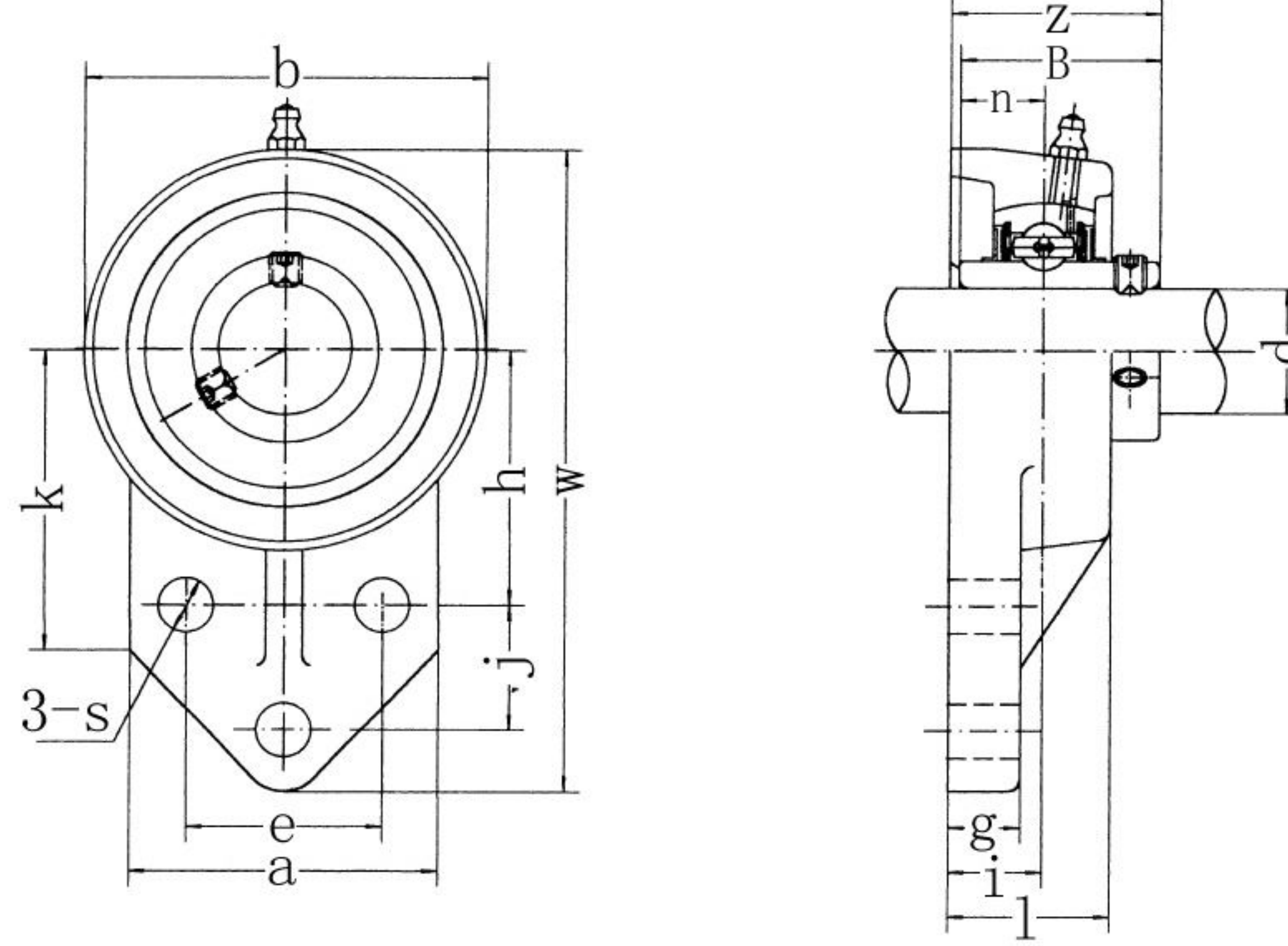


# Flange Units

## UCFB2 (Normal-duty)



Unit No.	Dimensions <sup>mm</sup> <sub>in.</sub>															Bolt Size <sub>mm</sub> inch	Bearing No.	Housing No.	Weight (kg)
	d	w	b	k	a	l	S	g	h	j	e	i	z	B	n				
UCFB201	12	110	62	52	52	25.5	10	13	42	27	32	15	33.3	31	12.7	M8	UC201	FB204	0.58
UCFB201-8	1/2																UC201-8		0.57
UCFB202	15																UC202		0.57
UCFB202-9	9/16																UC202-9		0.57
UCFB202-10	5/8	4-11/32	2-7/16	2-1/16	2-1/16	1	25/64	1/2	1-21/32	1-1/16	1-17/64	19/32	1-5/16	1.2205	0.500	5/16	UC202-10		0.57
UCFB203	17																UC203		0.56
UCFB203-11	11/16																UC203-11		0.55
UCFB204	20																UC204		0.54
UCFB204-12	3/4																UC204-12		0.54
UCFB205	25	116	68	52	56	27	10	13	45	27	34	16	35.8	34.1	14.3	M8	UC205		FB205
UCFB205-13	13/16																UC205-13	0.83	
UCFB205-14	7/8	4-9/16	2-11/16	2-1/16	2-7/32	1-1/16	25/64	1/2	1-49/64	1-1/16	1-11/32	5/8	1-13/32	1.3425	0.563	5/16	UC205-14	0.82	
UCFB205-15	15/16																UC205-15	0.80	
UCFB205-16	1																UC205-16	0.79	
UCFB206	30	130	78	55	65	31	10	13	50	29	40	18	40.2	38.1	15.9	M8	UC206	FB206	0.95
UCFB206-17	1-1/16																UC206-17		0.98
UCFB206-18	1-1/8	5-1/8	3-1/16	2-5/32	2-9/16	1-7/32	25/64	1/2	1-31/32	1-9/64	1-37/64	45/64	1-19/32	1.5000	0.626	5/16	UC206-18		0.97
UCFB206-19	1-3/16																UC206-19		0.95
UCFB206-20	1-1/4																UC206-20		0.94
UCFB207	35	144	90	62	70	34	10	15	55	32	46	19	44.4	42.9	17.5	M8	UC207	FB207	1.29
UCFB207-20	1-1/4																UC207-20		1.35
UCFB207-21	1-5/16	5-21/32	3-35/64	2-7/16	2-3/4	1-11/32	25/64	19/32	2-11/64	1-17/64	1-13/16	3/4	1-3/4	1.6890	0.689	5/16	UC207-21		1.32
UCFB207-22	1-3/8																UC207-22		1.29
UCFB207-23	1-7/16																UC207-23		1.26
UCFB208	40	164	100	72	78	36	12	16	60	41	50	21	51.2	49.2	19	M10	UC208	FB208	1.78
UCFB208-24	1-1/2	6-15/32	3-15/16	2-27/32	3-1/16	1-13/32	15/32	5/8	2-23/64	1-39/64	1-31/32	53/64	2-1/64	1.9370	0.748	3/8	UC208-24		1.82
UCFB208-25	1-9/16																UC208-25		1.79
UCFB209	45	174	106	76	80	38	12	18	65	43	54	22	52.2	49.2	19	M10	UC209	FB209	1.91
UCFB209-26	1-5/8																UC209-26		2.01
UCFB209-27	1-11/16	6-27/32	4-3/16	3	3-5/32	1-1/2	15/32	23/32	2-9/16	1-11/16	2-1/8	55/64	2-1/16	1.9370	0.748	3/8	UC209-27		1.97
UCFB209-28	1-3/4																UC209-28		1.93
UCFB210	50	184	112	82	86	40	12	18	68	46	58	22	54.6	51.6	19	M10	UC210	FB210	2.36
UCFB210-29	1-13/16																UC210-29		2.48
UCFB210-30	1-7/8	7-1/4	4-13/32	3-7/32	3-3/8	1-37/64	15/32	23/32	2-43/64	1-13/16	2-9/32	55/64	2-5/32	2.0315	0.748	3/8	UC210-30		2.43
UCFB210-31	1-15/16																UC210-31		2.38
UCFB210-32	2																UC210-32		2.34
UCFB211	55	207	130	86	90	43	14	18	78	50	62	25	58.4	55.6	22.2	M12	UC211	FB211	3.15
UCFB211-32	2																UC211-32		3.31
UCFB211-33	2-1/16	8-5/32	5-1/8	3-25/64	3-35/64	1-11/16	35/64	45/64	3-5/64	1-31/32	2-7/16	63/64	2-5/16	2.1890	0.874	7/16	UC211-33		3.25
UCFB211-34	2-1/8																UC211-34		3.20
UCFB211-35	2-3/16																UC211-35		3.14
UCFB212	60	223	140	90	94	48	14	18	84	55	66	29	68.7	65.1	25.4	M12	UC212	FB212	3.99
UCFB212-36	2-1/4																UC212-36		4.12
UCFB212-37	2-5/16	8-25/32	5-1/2	3-35/64	3-45/64	1-7/8	35/64	45/64	3-5/16	2-11/64	2-19/32	1-9/64	2-23/32	2.5630	1.000	7/16	UC212-37		4.04
UCFB212-38	2-3/8																UC212-38		3.97
UCFB212-39	2-7/16																UC212-39		3.90
UCFB213	65	244	155	94	100	50	14	20	92	60	70	30	69.7	65.1	25.4	M12	UC213	FB213	5.21
UCFB213-40	2-1/2	9-39/64	6-7/64	3-45/64	3-15/16	1-31/32	35/64	25/32	3-5/8	2-23/64	2-3/4	1-3/16	2-3/4	2.5630	1.000	7/16	UC213-40		5.3
UCFB213-41	2-9/16																UC213-41		5.21