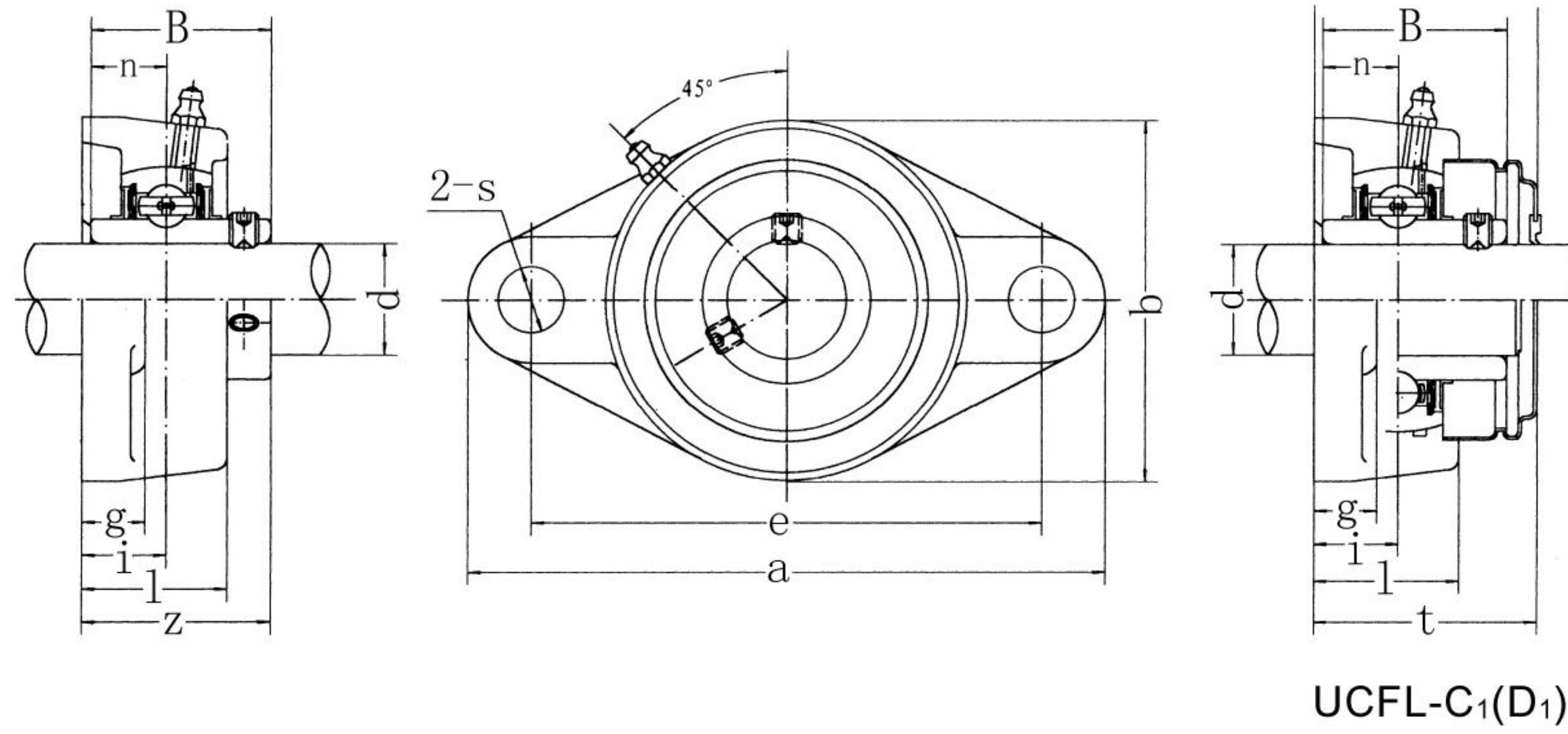


Flange Units (Oval)

UCFL2 (Normal-duty)



Unit No.	Dimensions mm in.												Bolt Size mm inch	Bearing No.	Housing No.	Weight (kg)
	d	a	e	i	g	l	s	b	z	t	B	n				
UCFL201 UCFL201-8	12 1/2	113 4-7/16	90 3-35/64	15 19/32	11 7/16	25.5 1	12 15/32	60 2-3/8	33.3 1-5/16	37.5 1-31/64	31 1.2205	12.7 0.500	M10 3/8	UC201 UC201-8	FL204	0.45 0.44
UCFL202 UCFL202-9 UCFL202-10	15 9/16 5/8	113 4-7/16	90 3-35/64	15 19/32	11 7/16	25.5 1	12 15/32	60 2-3/8	33.3 1-5/16	37.5 1-31/64	31 1.2205	12.7 0.500	M10 3/8	UC202 UC202-9 UC202-10	FL204	0.44 0.44 0.44
UCFL203 UCFL203-11	17 11/16	113 4-7/16	90 3-35/64	15 19/32	11 7/16	25.5 1	12 15/32	60 2-3/8	33.3 1-5/16	37.5 1-31/64	31 1.2205	12.7 0.500	M10 3/8	UC203 UC203-11	FL204	0.43 0.42
UCFL204 UCFL204-12	20 3/4	113 4-7/16	90 3-35/64	15 19/32	11 7/16	25.5 1	12 15/32	60 2-3/8	33.3 1-5/16	37.5 1-31/64	31 1.2205	12.7 0.500	M10 3/8	UC204 UC204-12	FL204	0.41 0.41
UCFL205 UCFL205-13 UCFL205-14 UCFL205-15 UCFL205-16	25 13/16 7/8 15/16 1	130 5-1/8	99 3-57/64	16 5/8	13 1/2	27 1-1/16	16 5/8	68 2-11/16	35.8 1-13/32	40 1-9/16	34.1 1.3425	14.3 0.563	M14 1/2	UC205 UC205-13 UC205-14 UC205-15 UC205-16	FL205	0.58 0.62 0.61 0.59 0.58
UCFL206 UCFL206-17 UCFL206-18 UCFL206-19 UCFL206-20	30 1-1/16 1-1/8 1-3/16 1-1/4	148 5-13/16	117 4-39/64	18 45/64	13 1/2	31 1-7/32	16 5/8	80 3-5/32	40.2 1-19/32	44.5 1-3/4	38.1 1.5000	15.9 0.626	M14 1/2	UC206 UC206-17 UC206-18 UC206-19 UC206-20	FL206	0.86 0.89 0.88 0.86 0.85
UCFL207 UCFL207-20 UCFL207-21 UCFL207-22 UCFL207-23	35 1-1/4 1-5/16 1-3/8 1-7/16	161 6-11/32	130 5-1/8	19 3/4	14 35/64	34 1-11/32	16 5/8	90 3-35/64	44.4 1-3/4	48.5 1-29/32	42.9 1.6890	17.5 0.689	M14 1/2	UC207 UC207-20 UC207-21 UC207-22 UC207-23	FL207	1.08 1.14 1.11 1.08 1.05
UCFL208 UCFL208-24 UCFL208-25	40 1-1/2 1-9/16	175 6-7/8	144 5-43/64	21 53/64	14 35/64	36 1-13/32	16 5/8	100 3-15/16	51.2 2-1/64	55.5 2-3/16	49.2 1.9370	19 0.748	M14 1/2	UC208 UC208-24 UC208-25	FL208	1.44 1.48 1.45
UCFL209 UCFL209-26 UCFL209-27 UCFL209-28	45 1-5/8 1-11/16 1-3/4	188 7-13/32	148 5-53/64	22 55/64	15 19/32	38 1-1/2	19 3/4	108 4-1/4	52.2 2-1/16	56.5 2-7/32	49.2 1.9370	19 0.748	M16 5/8	UC209 UC209-26 UC209-27 UC209-28	FL209	1.74 1.84 1.80 1.76
UCFL210 UCFL210-29 UCFL210-30 UCFL210-31 UCFL210-32	50 1-13/16 1-7/8 1-15/16 2	197 7-3/4	157 6-3/16	22 55/64	15 19/32	40 1-37/64	19 3/4	115 4-17/32	54.6 2-5/32	59.5 2-11/32	51.6 2.0315	19 0.748	M16 5/8	UC210 UC210-29 UC210-30 UC210-31 UC210-32	FL210	2.10 2.22 2.17 2.12 2.08
UCFL211 UCFL211-32 UCFL211-33 UCFL211-34 UCFL211-35	55 2 2-1/16 2-1/8 2-3/16	224 8-13/16	184 7-1/4	25 63/64	18 23/32	43 1-11/16	19 3/4	130 5-1/8	58.4 2-5/16	63 2-15/32	55.6 2.1890	22.2 0.874	M16 5/8	UC211 UC211-32 UC211-33 UC211-34 UC211-35	FL211	2.91 3.06 3.00 2.95 2.89
UCFL212 UCFL212-36 UCFL212-37 UCFL212-38 UCFL212-39	60 2-1/4 2-5/16 2-3/8 2-7/16	250 9-27/32	202 7-61/64	29 1-9/64	18 23/32	48 1-7/8	23 29/32	140 5-1/2	68.7 2-23/32	73.5 2-57/64	65.1 2.5630	25.4 1.000	M20 3/4	UC212 UC212-36 UC212-37 UC212-38 UC212-39	FL212	3.74 3.87 3.79 3.72 3.65
UCFL213 UCFL213-40 UCFL213-41	65 2-1/2 2-9/16	258 10-5/32	210 8-17/64	30 1-3/16	22 7/8	50 1-31/32	23 29/32	155 6-3/32	69.7 2-3/4	74.5 2-15/16	65.1 2.5630	25.4 1.000	M20 3/4	UC213 UC213-40 UC213-41	FL213	4.57 4.66 4.57
UCFL214 UCFL214-42 UCFL214-43 UCFL214-44	70 2-5/8 2-11/16 2-3/4	265 10-7/16	216 8-1/2	31 1-7/32	22 7/8	54 2-1/8	23 29/32	160 6-5/16	75.4 2-31/32		74.6 2.9370	30.2 1.189	M20 3/4	UC214 UC214-42 UC214-43 UC214-44	FL214	5.11 5.32 5.22 5.12
UCFL215 UCFL215-45 UCFL215-46 UCFL215-47 UCFL215-48	75 2-13/16 2-7/8 2-15/16 3	275 10-13/16	225 8-55/64	34 1-11/32	22 7/8	56 2-7/32	23 29/32	165 6-1/2	78.5 3-3/32		77.8 3.0630	33.3 1.311	M20 3/4	UC215 UC215-45 UC215-46 UC215-47 UC215-48	FL215	5.37 5.62 5.51 5.40 5.28
UCFL216 UCFL216-49 UCFL216-50 UCFL216-51	80 3-1/16 3-1/8 3-1/16	290 11-13/32	233 9-11/64	34 1-11/32	22 7/8	58 2-9/32	25 63/64	180 7-3/32	83.3 3-9/32		82.6 3.2520	33.3 1.311	M22 7/8	UC216 UC216-49 UC216-50 UC216-51	FL216	7.20 7.38 7.25 7.12
UCFL217 UCFL217-52 UCFL217-53 UCFL217-55	85 3-1/4 3-5/16 3-7/16	305 12	248 9-49/64	36 1-27/64	24 15/16	63 2-15/32	25 63/64	190 7-15/32	87.6 3-7/16		85.7 3.3740	34.1 1.343	M22 7/8	UC217 UC217-52 UC217-53 UC217-55	FL217	8.61 8.83 8.69 8.40
UCFL218 UCFL218-56	90 3-1/2	320 12-19/32	265 10-7/16	40 1-37/64	24 15/16	68 2-11/16	25 63/64	205 8-1/16	96.3 3-25/32		96 3.7795	39.7 1.5630	M22 7/8	UC218 UC218-56	FL218	10.51 10.62