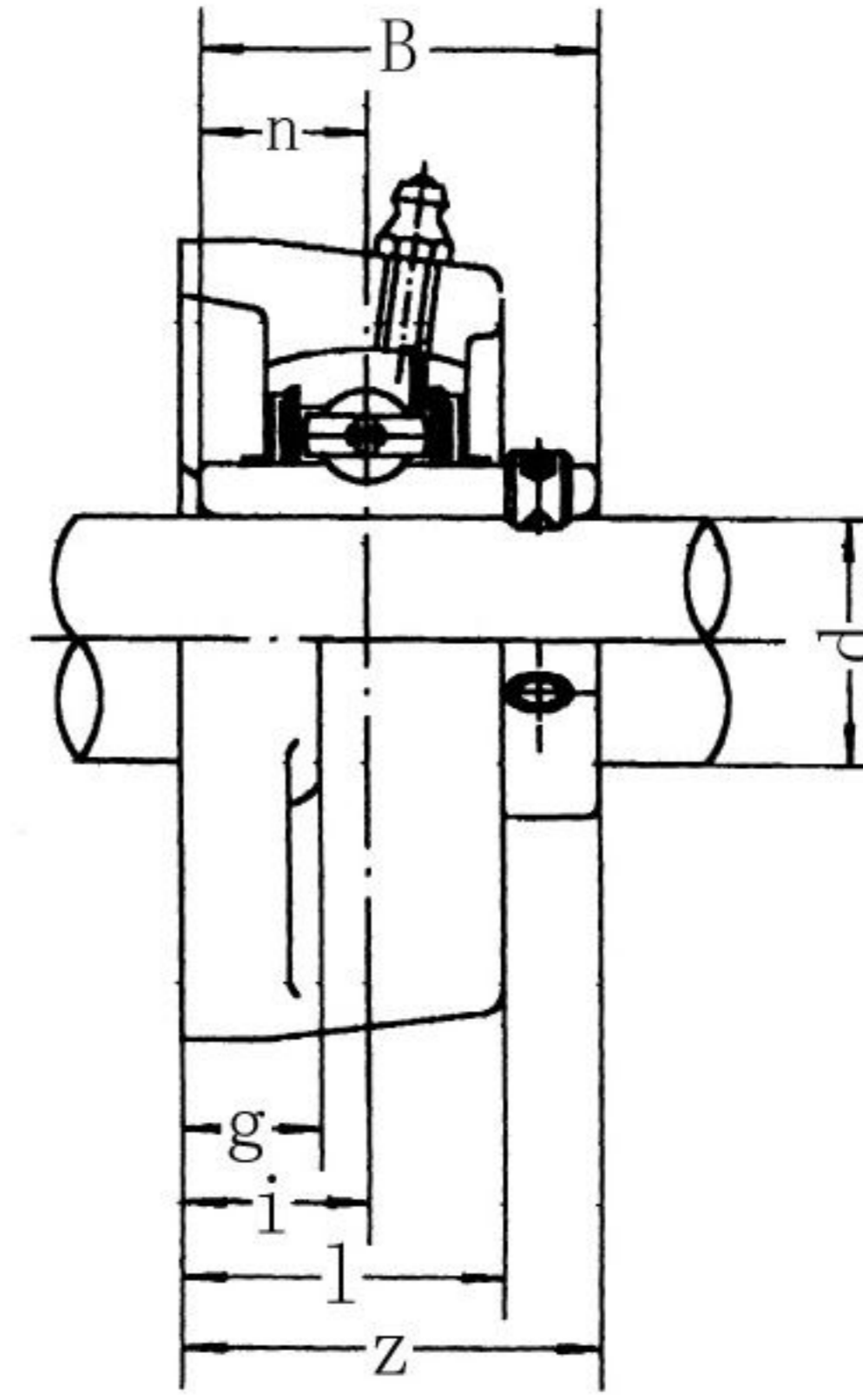
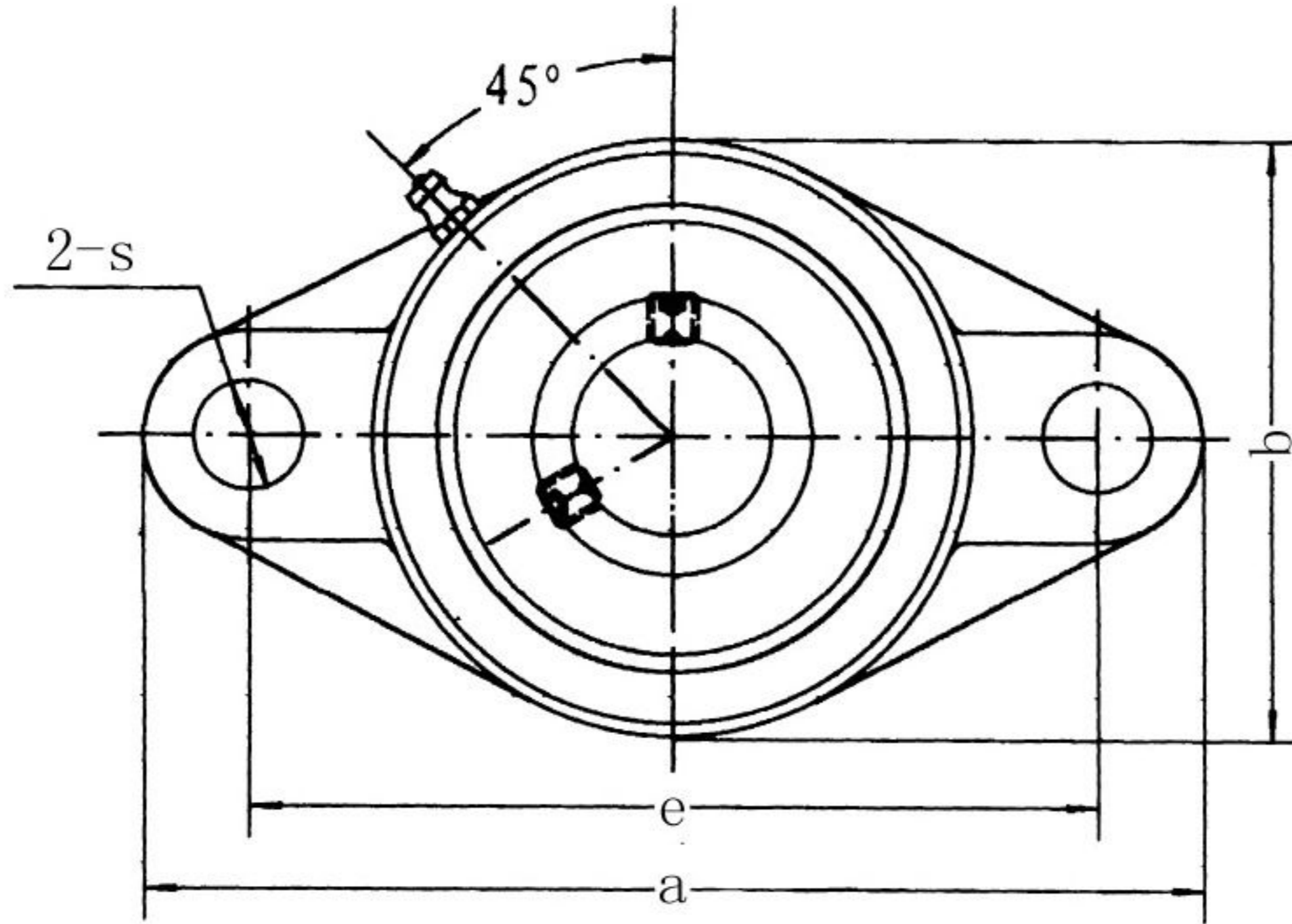


Flange Units (Oval)

UCFL3 (Heavy-duty)



Unit No.	Dimensions <small>mm inch</small>											Bolt Size <small>mm inch</small>	Bearing No.	Housing No.	Weight (kg)
	d	a	e	i	g	l	s	b	z	B	n				
UCFL305 UCFL305-13 UCFL305-14 UCFL305-15 UCFL305-16	25 13/16 7/8 15/16 1	150	113	16	13	29	19	80	39	38	15	M16	UC305 UC305-13 UC305-14 UC305-15 UC305-16	FL305	1.1
UCFL306 UCFL306-17 UCFL306-18 UCFL306-19	30 1-1/16 1-1/8 1-3/16	180	134	18	15	32	23	90	44	43	17	M20	UC306 UC306-17 UC306-18 UC306-19	FL306	1.5
UCFL307 UCFL307-20 UCFL307-21 UCFL307-22 UCFL307-23	35 1-1/4 1-5/16 1-3/8 1-7/16	185	141	20	16	36	23	100	49	48	19	M20	UC307 UC307-20 UC307-21 UC307-22 UC307-23	FL307	1.9
UCFL308 UCFL308-24 UCFL308-25	40 1-1/2 1-9/16	200	158	23	17	40	23	112	56	52	19	M20	UC308 UC308-24 UC308-25	FL308	2.5
UCFL309 UCFL309-26 UCFL309-27 UCFL309-28	45 1-5/8 1-11/16 1-3/4	230	177	25	18	44	25	125	60	57	22	M22	UC309 UC309-26 UC309-27 UC309-28	FL309	3.4
UCFL310 UCFL310-29 UCFL310-30 UCFL310-31	50 1-13/16 1-7/8 1-15/16	240	187	28	19	48	25	140	67	61	22	M22	UC310 UC310-29 UC310-30 UC310-31	FL310	4.4
UCFL311 UCFL311-32 UCFL311-33 UCFL311-34 UCFL311-35	55 2 2-1/16 2-1/8 2-3/16	250	198	30	20	52	25	150	71	66	25	M22	UC311 UC311-32 UC311-33 UC311-34 UC311-35	FL311	5.1
UCFL312 UCFL312-36 UCFL312-37 UCFL312-38 UCFL312-39	60 2-1/4 2-5/16 2-3/8 2-7/16	270	212	33	22	56	31	160	78	71	26	M27	UC312 UC312-36 UC312-37 UC312-38 UC312-39	FL312	6.1
UCFL313 UCFL313-40 UCFL313-41	65 2-1/2 2-9/16	295	240	33	25	58	31	175	78	75	30	M27	UC313 UC313-40 UC313-41	FL313	7.8
UCFL314 UCFL314-42 UCFL314-43 UCFL314-44	70 2-5/8 2-11/16 2-3/4	315	250	36	28	61	35	185	81	78	33	M30	UC314 UC314-42 UC314-43 UC314-44	FL314	9.0
UCFL315 UCFL315-45 UCFL315-46 UCFL315-47 UCFL315-48	75 2-13/16 2-7/8 2-15/16 3	320	260	39	30	66	35	195	89	82	32	M30	UC315 UC315-45 UC315-46 UC315-47 UC315-48	FL315	10
UCFL316 UCFL316-49 UCFL316-50 UCFL316-51	80 3-1/16 3-1/8 3-3/16	355	285	38	32	68	38	210	90	86	34	M33	UC316 UC316-49 UC316-50 UC316-51	FL316	13
UCFL317 UCFL317-52 UCFL317-53 UCFL317-55	85 3-1/4 3-5/16 3-7/16	370	300	44	32	74	38	220	100	96	40	M33	UC317 UC317-52 UC317-53 UC317-55	FL317	15
UCFL318 UCFL318-55 UCFL318-56	90 3-7/16 3-1/2	385	315	44	36	76	38	235	100	96	40	M33	UC318 UC318-55 UC318-56	FL318	18
UCFL319 UCFL319-58 UCFL319-59 UCFL319-60	95 3-5/8 3-11/16 3-3/4	405	330	59	40	94	41	250	121	103	41	M36	UC319 UC319-58 UC319-59 UC319-60	FL319	22
UCFL320 UCFL320-64	100 4	440	360	59	40	94	44	270	125	108	42	M39	UC320 UC320-64	FL320	27
UCFL322	110	470	390	60	42	96	44	300	131	117	46	M39	UC322	FL322	33
UCFL324	120	520	430	65	48	110	47	330	140	126	51	M42	UC324	FL324	48
UCFL326	130	550	460	65	50	115	47	360	146	135	54	M42	UC326	FL326	58
UCFL328	140	600	500	75	60	125	51	400	161	145	59	M45	UC328	FL328	81