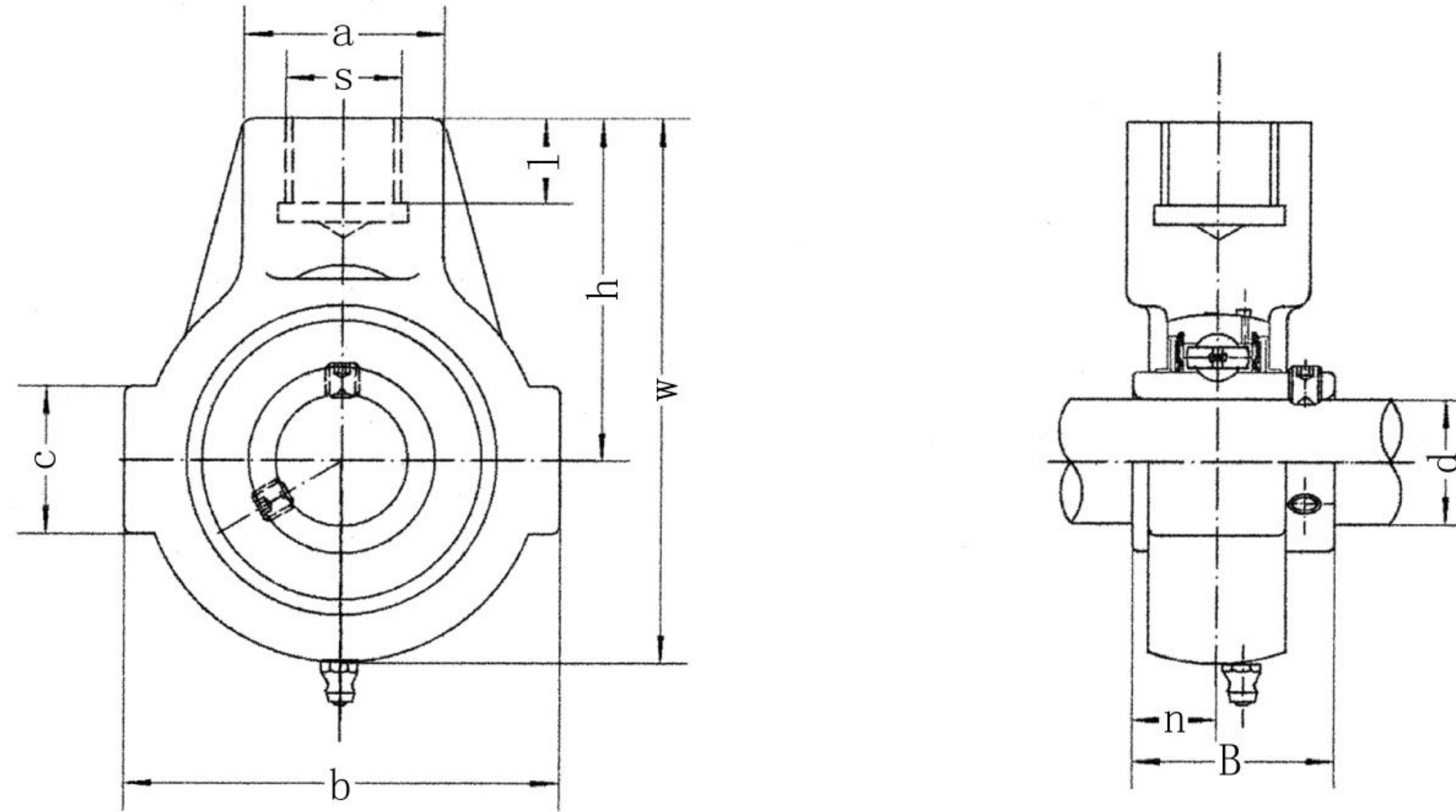


# Screw Conveyor Hanger Units

## UCHE2 (Normal-duty)



Unit No.	Dimensions <sup>mm</sup> / <sub>in.</sub>										Bearing No.	Housing No.	Weight (kg)
	d	h	w	b	c	a	s	l	B	n			
UCHE201	12	58	91	65	38	30		21	31	12.7	UC201	HE204	0.61
UCHE201-8	1/2										UC201-8		0.60
UCHE202	15										UC202		0.60
UCHE202-9	9/16										UC202-9		0.60
UCHE202-10	5/8	2-9/32	3-37/64	2-9/16	1-1/2	1-3/16	M16	53/64	1.2205	0.500	UC202-10		0.60
UCHE203	17										UC203		0.59
UCHE203-11	11/16										UC203-11		0.58
UCHE204	20										UC204		0.57
UCHE204-12	3/4										UC204-12		0.57
UCHE205	25	64	99	70	38	35		22	34.1	14.3	UC205	HE205	0.72
UCHE205-13	13/16										UC205-13		0.76
UCHE205-14	7/8	2-33/64	3-57/64	2-3/4	1-1/2	1-3/8	M20	55/64	1.3425	0.563	UC205-14		0.75
UCHE205-15	15/16										UC205-15		0.73
UCHE205-16	1										UC205-16		0.72
UCHE206	30	72	114	85	40	40		24	38.1	15.9	UC206	HE206	1.12
UCHE206-17	1-1/16										UC206-17		1.13
UCHE206-18	1-1/8	2-53/64	4-31/64	3-11/32	1-37/64	1-37/64	M24	15/16	1.5000	0.626	UC206-18		1.14
UCHE206-19	1-3/16										UC206-19		1.12
UCHE206-20	1-1/4										UC206-20		1.11
UCHE207	35	76	122	90	40	40		24	42.9	17.5	UC207	HE207	1.25
UCHE207-20	1-1/4										UC207-20		1.31
UCHE207-21	1-5/16	3	4-51/64	3-35/64	1-37/64	1-37/64	M24	15/16	1.6890	0.689	UC207-21		1.28
UCHE207-22	1-3/8										UC207-22		1.25
UCHE207-23	1-7/16										UC207-23		1.22
UCHE208	40	85	135	100	45	40		24	49.2	19	UC208	HE209	1.61
UCHE208-24	1-1/2	3-11/32	5-5/16	3-15/16	1-25/32	1-37/64	M24	15/16	1.9370	0.748	UC208-24		1.65
UCHE208-25	1-9/16										UC208-25		1.62
UCHE209	45								49.2	19	UC209	HE209	2.04
UCHE209-26	1-5/8										UC209-26		2.14
UCHE209-27	1-11/16	90	145	110	46	40		24	1.9370	0.748	UC209-27		2.10
UCHE209-28	1-3/4										UC209-28		2.06
UCHE210	50						M24		51.6	19	UC210	HE210	1.91
UCHE210-29	1-13/16	3-35/64	5-45/64	4-21/64	1-13/16	1-37/64		15/16			UC210-29		2.03
UCHE210-30	1-7/8								2.0315	0.748	UC210-30		1.98
UCHE210-31	1-15/16										UC210-31		1.93
UCHE210-32	2										UC210-32		2.01