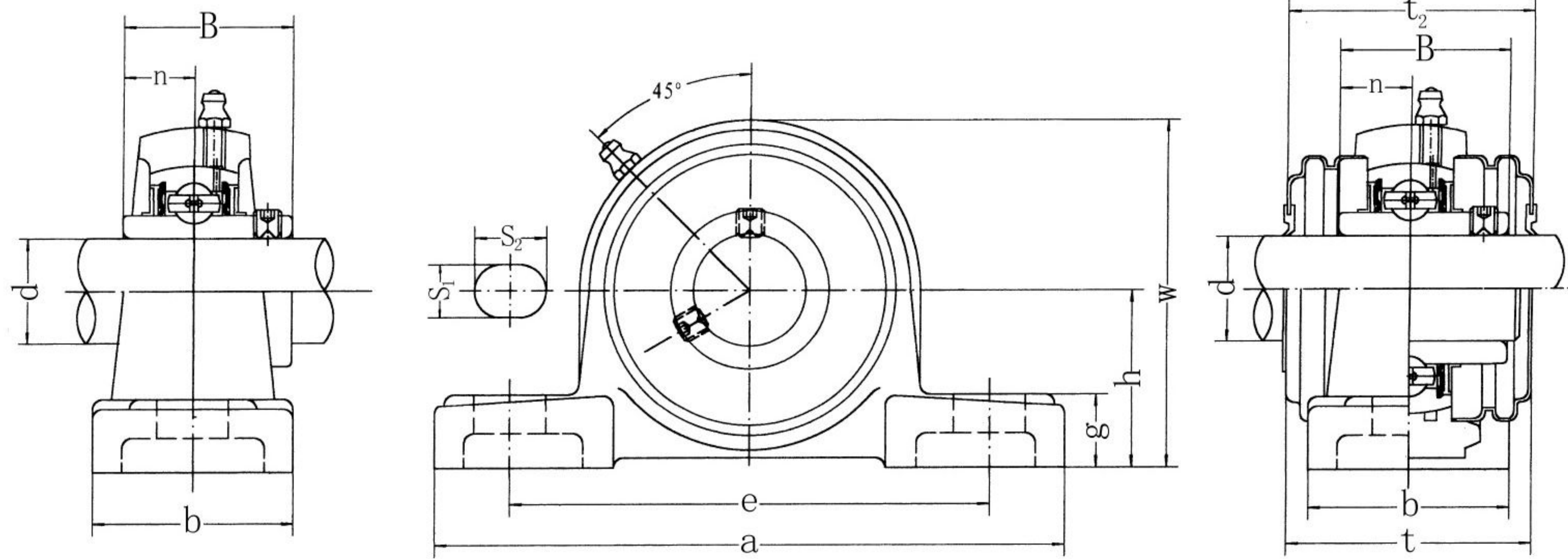


# Pillow Blocks

# UCP 2 (normal-duty)



UCP-C<sub>1</sub>(D<sub>1</sub>)

Unit No.	Dimensions <sup>mm</sup> <sub>in.</sub>												Bolt Size mm inch	Bearing No.	Housing No.	Weight (kg)
	d	h	a	e	b	s <sub>1</sub>	s <sub>2</sub>	g	w	t	B	n				
UCP201 UCP201-8	12 1/2	30.2 1-3/16	127 5	95 3-3/4	38 1-1/2	13 1/2	19 3/4	14 9/16	62 2-7/16	44.5 1-3/4	31 1.2205	12.7 0.500	M10 3/8	UC201 UC201-8	P203	0.69 0.69
UCP202 UCP202-9 UCP202-10	15 9/16 5/8	30.2 1-3/16	127 5	95 3-3/4	38 1-1/2	13 1/2	19 3/4	14 9/16	62 2-7/16	44.5 1-3/4	31 1.2205	12.7 0.500	M10 3/8	UC202 UC202-9 UC202-10	P203	0.69 0.69 0.69
UCP203 UCP203-11	17 11/16	30.2 1-3/16	127 5	95 3-3/4	38 1-1/2	13 1/2	19 3/4	14 9/16	62 2-7/16	44.5 1-3/4	31 1.2205	12.7 0.500	M10 3/8	UC203 UC203-11	P203	0.68 0.67
UCP204 UCP204-12	20 3/4	33.3 1-5/16	127 5	95 3-3/4	38 1-1/2	13 1/2	19 3/4	14 9/16	65 2-9/16	44.5 1-3/4	31 1.2205	12.7 0.500	M10 3/8	UC204 UC204-12	P204	0.66 0.66
UCP205 UCP205-13 UCP205-14 UCP205-15 UCP205-16	25 13/16 7/8 15/16 1	36.5 1-7/16	140 5-1/2	105 4-1/8	38 1-1/2	13 1/2	19 3/4	15 19/32	71 2-25/32	48 1-57/64	34.1 1.3425	14.3 0.563	M10 3/8	UC205 UC205-13 UC205-14 UC205-15 UC205-16	P205	0.81 0.85 0.83 0.82 0.81
UCP206 UCP206-17 UCP206-18 UCP206-19 UCP206-20	30 1-1/16 1-1/8 1-3/16 1-1/4	42.9 1-11/16	160 6-19/64	121 4-3/4	44 1-47/64	17 43/64	20 25/32	17 21/32	84 3-5/16	53 2-5/64	38.1 1.5000	15.9 0.626	M14 1/2	UC206 UC206-17 UC206-18 UC206-19 UC206-20	P206	1.24 1.27 1.26 1.24 1.23
UCP207 UCP207-20 UCP207-21 UCP207-22 UCP207-23	35 1-1/4 1-5/16 1-3/8 1-7/16	47.6 1-7/8	167 6-9/16	127 5	48 1-7/8	17 43/64	20 25/32	18 45/64	93 3-21/32	59.5 2-11/32	42.9 1.6890	17.5 0.689	M14 1/2	UC207 UC207-20 UC207-21 UC207-22 UC207-23	P207	1.58 1.64 1.61 1.58 1.55
UCP208 UCP208-24 UCP208-25	40 1-1/2 1-9/16	49.2 1-15/16	184 7-1/4	137 5-13/32	54 2-1/8	17 43/64	20 25/32	18 45/64	100 3-15/16	69 2-23/32	49.2 1.9370	19 0.748	M14 1/2	UC208 UC208-24 UC208-25	P208	1.89 1.93 1.90
UCP209 UCP209-26 UCP209-27 UCP209-28	45 1-5/8 1-11/16 1-3/4	54.0 2-1/8	190 7-15/32	146 5-3/4	54 2-1/8	17 43/64	20 25/32	20 25/32	106 4-11/64	69 2-23/32	49.2 1.9370	19 0.748	M14 1/2	UC209 UC209-26 UC209-27 UC209-28	P209	2.14 2.24 2.20 2.14
UCP210 UCP210-29 UCP210-30 UCP210-31 UCP210-32	50 1-13/16 1-7/8 1-15/16 2	57.2 2-1/4	206 8-1/8	159 6-1/4	60 2-3/8	20 25/32	23 29/32	21 53/64	113 4-29/64	74.5 2-15/16	51.6 2.0315	19 0.748	M16 5/8	UC210 UC210-29 UC210-30 UC210-31 UC210-32	P210	2.66 2.78 2.73 2.68 2.64
UCP211 UCP211-32 UCP211-33 UCP211-34 UCP211-35	55 2 2-1/16 2-1/8 2-3/16	63.5 2-1/2	219 8-5/8	171 6-47/64	60 2-3/8	20 25/32	23 29/32	23 29/32	125 4-59/64	76 3	55.6 2.1890	22.2 0.874	M16 5/8	UC211 UC211-32 UC211-33 UC211-34 UC211-35	P211	3.31 3.46 3.40 3.35 3.29
UCP212 UCP212-36 UCP212-37 UCP212-38 UCP212-39	60 2-1/4 2-5/16 2-3/8 2-7/16	69.8 2-3/4	241 9-1/2	184 7-1/4	70 2-3/4	20 25/32	23 29/32	25 63/64	138 5-7/16	89 3-1/2	65.1 2.5630	25.4 1.000	M16 5/8	UC212 UC212-36 UC212-37 UC212-38 UC212-39	P212	4.90 5.03 4.95 4.88 1.81
UCP213 UCP213-40 UCP213-41	65 2-1/2 2-9/16	76.2 3	265 10-7/16	203 8	70 2-3/4	25 63/64	28 1-3/32	27 1-1/16	150 5-29/32	89 3-1/2	65.1 2.5630	25.4 1.000	M20 3/4	UC213 UC213-40 UC213-41	P213	5.15 5.24 5.15
UCP214 UCP214-42 UCP214-43 UCP214-44	70 2-5/8 2-11/16 2-3/4	79.4 3-1/8	266 10-15/32	210 8-17/64	72 2-27/32	25 63/64	28 1-3/32	27 1-1/16	156 6-9/64		74.6 2.9370	30.2 1.189	M20 3/4	UC214 UC214-42 UC214-43 UC214-44	P214	6.20 6.41 6.31 6.21
UCP215 UCP215-45 UCP215-46 UCP215-47 UCP215-48	75 2-13/16 2-7/8 2-15/16 3	82.6 3-1/4	275 10-53/64	217 8-35/64	74 2-29/32	25 63/64	28 1-3/32	28 1-3/32	162 6-3/8		77.8 3.0630	33.3 1.311	M20 3/4	UC215 UC215-45 UC215-46 UC215-47 UC215-48	P215	7.16 7.41 7.30 7.19 7.07
UCP216 UCP216-49 UCP216-50 UCP216-51	80 3-1/16 3-1/8 3-3/16	88.9 3-1/2	292 11-1/2	232 9-1/8	78 3-1/16	25 63/64	28 1-3/32	30 1-3/16	174 6-27/32		82.6 3.2520	33.3 1.311	M20 3/4	UC216 UC216-49 UC216-50 UC216-51	P216	8.10 8.28 8.15 8.02
UCP217 UCP217-52 UCP217-53 UCP217-55	85 3-1/4 3-5/16 3-7/16	95.2 3-3/4	310 12-13/64	247 9-23/32	83 3-17/64	25 63/64	28 1-3/32	32 1-1/4	185 7-9/32		85.7 3.3740	34.1 1.343	M20 3/4	UC217 UC217-52 UC217-53 UC217-55	P217	9.81 10.03 9.89 9.60
UCP218 UCP218-56	90 3-1/2	101.6 4	327 12-7/8	262 10-5/16	88 3-15/32	27 1-1/16	30 1-3/16	33 1-19/64	198 7-51/64		96 3.7795	39.7 1.5630	M22 7/8	UC218 UC218-56	P218	11.96 12.07