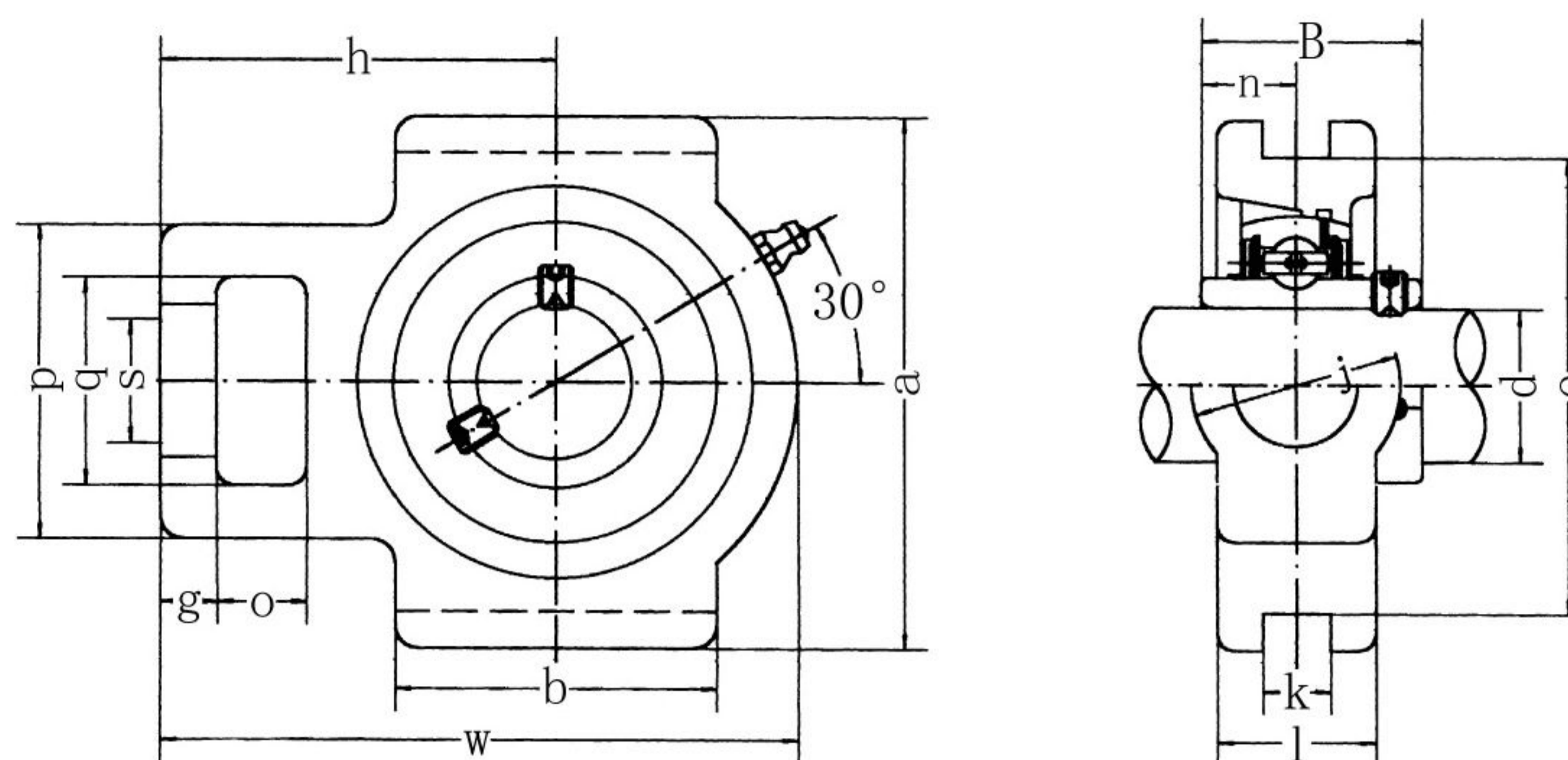


Take-up Units

UCT3 (Heavy-duty)



| Unit No. | Dimensions <small>mm inch</small> | | | | | | | | | | | | | | | | Bearing No. | Housing No. | Weight (kg) |
|-----------|---------------------------------------|---------|--------|---------|---------|---------|---------|-------|----------|----------|----------|---------|---------|---------|---------|--------|---|-------------|-------------|
| | d | o | g | p | q | s | b | k | e | a | w | j | l | h | B | n | | | |
| UCT305 | 25 | 16 | 14 | 62 | 36 | 26 | 65 | 12 | 80 | 89 | 122 | 36 | 26 | 76 | 38 | 15 | UC305 UC305-13 UC305-14 UC305-15 UC305-16 | T305 | 1.4 |
| UCT305-13 | 13/16 | | | | | | | | | | | | | | | | | | |
| UCT305-14 | 7/8 | 5/8 | 9/16 | 2-7/16 | 1-13/32 | 1-1/32 | 2-9/16 | 0.472 | 3-5/32 | 3-1/2 | 4-13/16 | 1-13/32 | 1-1/32 | 3 | 1.4961 | 0.591 | | | |
| UCT305-15 | 15/16 | | | | | | | | | | | | | | | | | | |
| UCT305-16 | 1 | | | | | | | | | | | | | | | | | | |
| UCT306 | 30 | 18 | 16 | 70 | 41 | 28 | 74 | 16 | 90 | 100 | 137 | 41 | 28 | 85 | 43 | 17 | UC306 UC306-17 UC306-18 UC306-19 | T306 | 1.8 |
| UCT306-17 | 1-1/16 | | | | | | | | | | | | | | | | | | |
| UCT306-18 | 1-1/8 | 23/32 | 5/8 | 2-3/4 | 1-5/8 | 1-3/32 | 2-29/32 | 0.630 | 3-55/64 | 3-15/16 | 5-13/32 | 1-5/8 | 1-3/32 | 3-11/32 | 1.6929 | 0.669 | | | |
| UCT306-19 | 1-3/16 | | | | | | | | | | | | | | | | | | |
| UCT307 | 35 | 20 | 17 | 75 | 45 | 30 | 80 | 16 | 100 | 111 | 150 | 45 | 32 | 94 | 48 | 19 | | | |
| UCT307-20 | 1-1/4 | | | | | | | | | | | | | | | | | | |
| UCT307-21 | 1-5/16 | 25/32 | 43/64 | 2-15/16 | 1-25/32 | 1-3/16 | 2-5/32 | 0.630 | 3-15/16 | 4-3/8 | 5-29/32 | 1-25/32 | 1-1/4 | 3-11/16 | 1.8898 | 0.748 | | | |
| UCT307-22 | 1-3/8 | | | | | | | | | | | | | | | | | | |
| UCT307-23 | 1-7/16 | | | | | | | | | | | | | | | | | | |
| UCT308 | 40 | 22 | 19 | 83 | 50 | 32 | 89 | 18 | 112 | 124 | 162 | 50 | 34 | 100 | 52 | 19 | UC308 UC308-24 UC308-25 | T308 | 3.0 |
| UCT308-24 | 1-1/2 | 7/8 | 3/4 | 3-17/64 | 1-31/32 | 1-1/4 | 3-1/2 | 0.709 | 4-13/32 | 4-7/8 | 6-3/8 | 1-21/32 | 1-11/32 | 3-15/16 | 2.0472 | 0.748 | | | |
| UCT308-25 | 1-9/16 | | | | | | | | | | | | | | | | | | |
| UCT309 | 45 | 24 | 20 | 90 | 55 | 34 | 97 | 18 | 125 | 138 | 178 | 55 | 38 | 110 | 57 | 22 | | | |
| UCT309-26 | 1-5/8 | | | | | | | | | | | | | | | | | | |
| UCT309-27 | 1-11/16 | 15/16 | 25/32 | 3-17/32 | 2-5/32 | 1-11/32 | 3-13/16 | 0.709 | 4-59/64 | 5-7/16 | 7 | 2-5/32 | 1-1/2 | 4-11/32 | 2.2441 | 0.866 | | | |
| UCT309-28 | 1-3/4 | | | | | | | | | | | | | | | | | | |
| UCT310 | 50 | 27 | 22 | 98 | 61 | 37 | 106 | 20 | 140 | 151 | 192 | 61 | 40 | 118 | 61 | 22 | UC310 UC310-29 UC310-30 UC310-31 | T310 | 5.0 |
| UCT310-29 | 1-13/16 | 1-1/16 | 7/8 | 3-27/32 | 2-13/32 | 1-15/32 | 4-3/16 | 0.787 | 5-33/64 | 5-15/16 | 7-9/16 | 2-13/32 | 1-9/16 | 4-21/32 | 2.40161 | 0.866 | | | |
| UCT310-30 | 1-7/8 | | | | | | | | | | | | | | | | | | |
| UCT310-31 | 1-15/16 | | | | | | | | | | | | | | | | | | |
| UCT311 | 55 | 29 | 23 | 105 | 66 | 39 | 115 | 22 | 150 | 163 | 207 | 66 | 44 | 127 | 66 | 25 | UC311 UC311-32 UC311-33 UC311-34 UC311-35 | T311 | 6.4 |
| UCT311-32 | 2 | | | | | | | | | | | | | | | | | | |
| UCT311-33 | 2-1/16 | 1-15/16 | 29/32 | 4-1/8 | 2-19/32 | 1-17/32 | 4-17/32 | 0.866 | 5-29/32 | 6-13/32 | 8-5/32 | 2-19/32 | 1-23/32 | 5 | 2.5984 | 0.984 | | | |
| UCT311-34 | 2-1/8 | | | | | | | | | | | | | | | | | | |
| UCT311-35 | 2-3/16 | | | | | | | | | | | | | | | | | | |
| UCT312 | 60 | 31 | 25 | 113 | 71 | 41 | 123 | 22 | 160 | 178 | 220 | 71 | 46 | 135 | 71 | 26 | UC312 UC312-36 UC312-37 UC312-38 UC312-39 | T312 | 7.6 |
| UCT312-36 | 2-1/4 | | | | | | | | | | | | | | | | | | |
| UCT312-37 | 2-5/16 | 1-7/32 | 31/32 | 4-7/16 | 2-25/32 | 1-5/8 | 4-27/32 | 0.866 | 6-19/64 | 7 | 8-21/32 | 2-25/32 | 1-13/16 | 5-5/16 | 2.7953 | 1.024 | | | |
| UCT312-38 | 2-3/8 | | | | | | | | | | | | | | | | | | |
| UCT312-39 | 2-7/16 | | | | | | | | | | | | | | | | | | |
| UCT313 | 65 | 32 | 27 | 116 | 70 | 43 | 134 | 26 | 170 | 190 | 238 | 80 | 50 | 146 | 75 | 30 | UC313 UC313-40 UC313-41 | T313 | 9.7 |
| UCT313-40 | 2-1/2 | 1-17/64 | 1-1/16 | 4-9/16 | 2-3/4 | 1-11/16 | 5-9/32 | 1.024 | 6-11/16 | 7-15/32 | 9-3/8 | 3-5/32 | 1-31/32 | 5-3/4 | 2.9528 | 1.181 | | | |
| UCT313-41 | 2-9/16 | | | | | | | | | | | | | | | | | | |
| UCT314 | 70 | 36 | 27 | 130 | 85 | 46 | 140 | 26 | 180 | 202 | 252 | 90 | 52 | 155 | 78 | 33 | | | |
| UCT314-42 | 2-5/8 | 1-13/32 | 1-1/16 | 5-1/8 | 3-11/32 | 1-13/16 | 5-1/2 | 1.024 | 7-3/32 | 7-15/16 | 9-29/32 | 3-17/32 | 2-1/16 | 6-3/32 | 3.2283 | 1.299 | | | |
| UCT314-43 | 2-11/16 | | | | | | | | | | | | | | | | | | |
| UCT314-44 | 2-3/4 | | | | | | | | | | | | | | | | | | |
| UCT315 | 75 | 36 | 27 | 132 | 85 | 46 | 150 | 26 | 192 | 216 | 262 | 90 | 55 | 160 | 82 | 32 | UC315 UC315-45 UC315-46 UC315-47 UC315-48 | T315 | 14 |
| UCT315-45 | 2-13/16 | 1-13/32 | 1-1/16 | 5-3/16 | 3-11/32 | 1-13/16 | 5-29/32 | 1.024 | 7-9/16 | 8-1/2 | 10-5/16 | 3-17/32 | 2-5/32 | 6-5/16 | 3.2283 | 1.260 | | | |
| UCT315-46 | 2-7/8 | | | | | | | | | | | | | | | | | | |
| UCT315-47 | 2-15/16 | | | | | | | | | | | | | | | | | | |
| UCT315-48 | 3 | | | | | | | | | | | | | | | | | | |
| UCT316 | 80 | 42 | 30 | 150 | 98 | 53 | 160 | 30 | 204 | 230 | 282 | 102 | 60 | 174 | 86 | 34 | UC316 UC316-49 UC316-50 UC316-51 | T316 | 16 |
| UCT316-49 | 3-1/16 | 1-21/32 | 1-3/16 | 5-29/32 | 3-27/32 | 2-3/32 | 6-5/16 | 1.181 | 8-1/32 | 9-1/16 | 11-3/32 | 4-1/32 | 2-3/8 | 6-27/32 | 3.2283 | 1.260 | | | |
| UCT316-50 | 3-1/8 | | | | | | | | | | | | | | | | | | |
| UCT316-51 | 3-3/16 | | | | | | | | | | | | | | | | | | |
| UCT317 | 85 | 42 | 32 | 152 | 98 | 53 | 170 | 32 | 214 | 240 | 298 | 102 | 64 | 183 | 96 | 40 | UC317 UC317-52 UC317-53 UC317-55 | T317 | 20 |
| UCT317-52 | 3-1/4 | 1-21/32 | 1-1/4 | 5-31/32 | 3-27/32 | 2-3/32 | 6-11/16 | 1.260 | 8-27/64 | 9-7/16 | 11-23/32 | 4-1/32 | 2-17/32 | 7-7/32 | 3.7795 | 1.575 | | | |
| UCT317-53 | 3-5/16 | | | | | | | | | | | | | | | | | | |
| UCT317-55 | 3-7/16 | | | | | | | | | | | | | | | | | | |
| UCT318 | 90 | 46 | 32 | 160 | 106 | 57 | 175 | 32 | 228 | 255 | 312 | 110 | 66 | 192 | 96 | 40 | UC318 UC318-55 UC318-56 | T318 | 22 |
| UCT318-55 | 3-7/16 | 1-13/16 | 1-1/4 | 6-5/16 | 4-3/16 | 2-1/4 | 6-7/8 | 1.260 | 8-31/32 | 10-1/32 | 12-9/32 | 4-11/32 | 2-19/32 | 7-9/16 | 3.7795 | 1.575 | | | |
| UCT318-56 | 3-1/2 | | | | | | | | | | | | | | | | | | |
| UCT319 | 95 | 46 | 33 | 165 | 106 | 57 | 180 | 35 | 240 | 270 | 322 | 110 | 72 | 197 | 103 | 41 | UC319 UC319-58 UC319-59 UC319-60 | T319 | 24 |
| UCT319-58 | 3-5/8 | 1-13/16 | 1-5/16 | 6-1/2 | 4-3/16 | 2-1/4 | 7-3/32 | 1.378 | 9-29/64 | 10-5/8 | 12-11/16 | 4-11/32 | 2-27/32 | 7-3/4 | 4.0551 | 1.614 | | | |
| UCT319-59 | 3-11/16 | | | | | | | | | | | | | | | | | | |
| UCT319-60 | 3-3/4 | | | | | | | | | | | | | | | | | | |
| UCT320 | 100 | 48 | 32 | 175 | 115 | 59 | 200 | 35 | 260 | 290 | 345 | 120 | 75 | 210 | 108 | 42 | UC320 UC320-64 | T320 | 32 |
| UCT320-64 | 4 | 1-7/8 | 1-1/4 | 6-7/8 | 4-17/32 | 2-21/64 | 7-7/8 | 1.378 | 10-15/64 | 11-13/32 | 13-19/32 | 4-23/32 | 2-15/16 | 8-9/32 | 4.2519 | 1.6535 | | | |
| UCT322 | 110 | 52 | 38 | 185 | 125 | 65 | 215 | 38 | 285 | 320 | 385 | 130 | 80 | 235 | 117 | 46 | UC322 | T322 | 40 |
| UCT324 | 120 | 60 | 42 | 210 | 140 | 70 | 230 | 45 | 320 | 355 | 432 | 140 | 90 | 267 | 126 | 51 | UC324 | T324 | 55 |
| UCT326 | 130 | 65 | 45 | 220 | 150 | 75 | 240 | 50 | 350 | 385 | 465 | 150 | 100 | 285 | 135 | 54 | UC326 | T326 | 69 |
| UCT328 | 140 | 70 | 50 | 230 | 160 | 80 | 255 | 50 | 380 | 415 | 515 | 155 | 100 | 315 | 145 | 59 | UC328 | T328 | 84 |