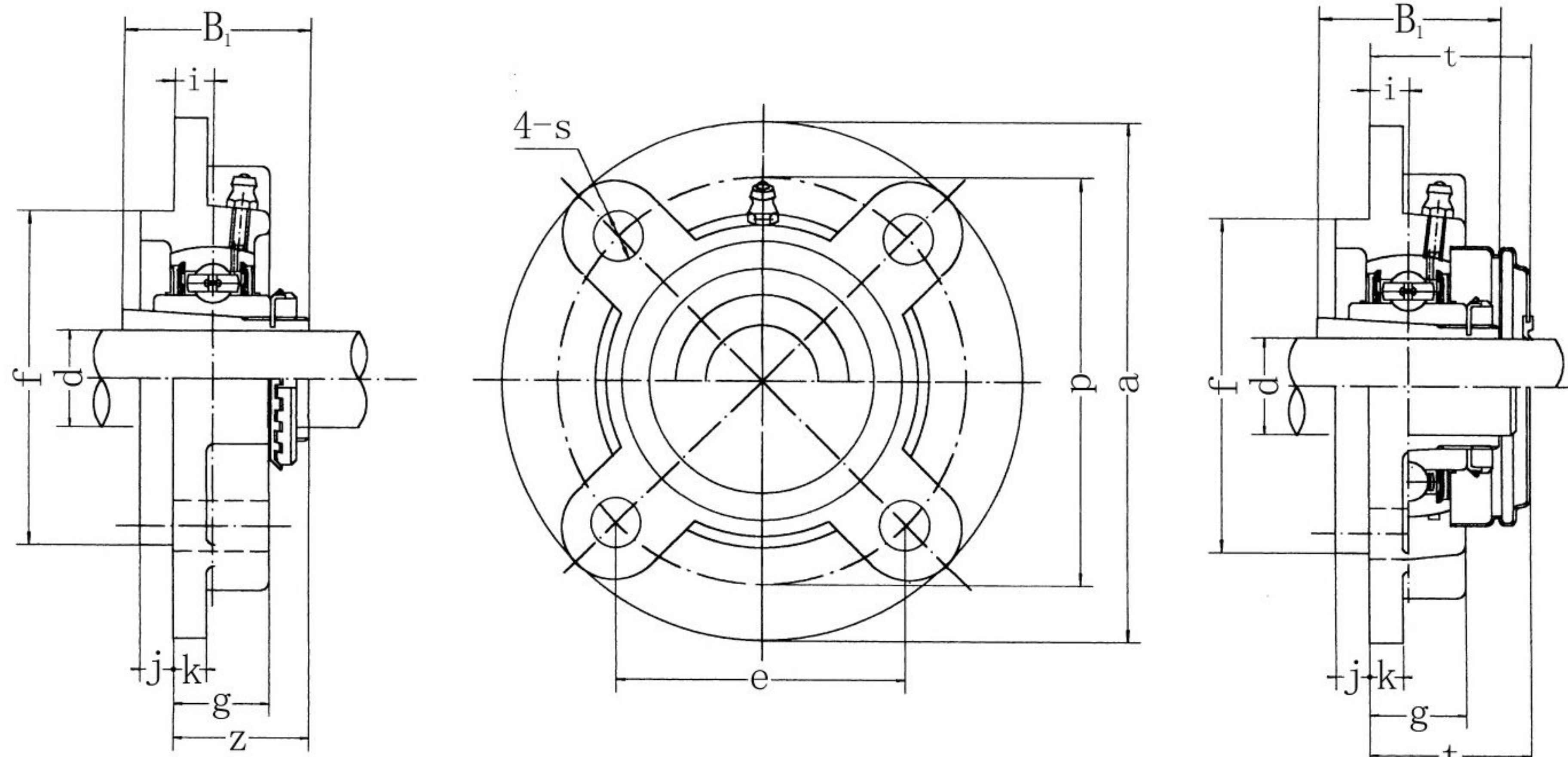


Flange Cartridge Units
(with adapter mounted)

UKFC2 (Normal-duty)



UCFC-C1(D1)

Unit No.	Dimensions													Bolt mm inch	Bearing No.	Housing No.	Weight (kg)
	d	a	p	e	i	s	j	k	g	f	z	t	B ₁				
UKFC205;H2305	20	115	90	63.6	10	12	6	7	21	70	29.5	34	35	M10	UK205;H2305	FC205	1.05
UKFC205;HE2305	3/4	4-17/32	3-35/64	2-1/2	15/64	15/32	15/64	9/32	53/64	2.7559	1-5/32	1-11/32	1.378	3/8	UK205;HE2305		
UKFC206;H2306	25	125	100	70.7	10	12	8	8	23	80	31	36.5	38	M10	UK206;H2306	FC206	1.34
UKFC206;HS2306	7/8	4-59/64	3-15/16	2-25/32	25/64	15/32	5/16	5/16	29/32	3.1496	1-7/32	1-7/16	1.496	3/8	UK206;HS2306		
UKFC206;HE2306	1														UK206;HE2306		
UKFC207;H2307	30	135	110	77.8	11	14	8	9	26	90	33.5	41	43	M12	UK207;H2307	FC207	1.90
UKFC207;HS2307	1-1/8	5-5/16	4-21/64	3-1/16	7/16	35/64	5/16	23/64	1-1/32	3.5433	1-5/16	1-5/8	1.693	7/16	UK207;HS2307		
UKFC208;H2308	35	145	120	84.8	11	14	10	9	26	100	35.5	45.5	46	M12	UK208;H2308	FC208	2.24
UKFC208;HE2308	1-1/4	5-45/64	4-23/32	3-11/32	7/16	35/64	25/64	23/64	1-1/32	3.9370	1-25/64	1-51/64	1.811	7/16	UK208;HE2308		
UKFC208;HS2308	1-3/8														UK208;HS2308		
UKFC209;H2309	40	160	132	93.3	10	16	12	14	26	105	36	44.5	50	M14	UK209;H2309	FC209	2.83
UKFC209;HA2309	1-7/16														UK209;HA2309		
UKFC209;HE2309	1-1/2	6-19/64	5-13/64	3-43/64	25/64	5/8	15/32	35/64	1-1/32	4.1339	1-27/64	1-3/4	1.969	1/2	UK209;HE2309		
UKFC209;HS2309	1-5/8														UK209;HS2309		
UKFC210;H2310	45	165	138	97.6	10	16	12	14	28	110	37.5	47.5	55	M14	UK210;H2310	FC210	3.07
UKFC210;HS2310	1-5/8														UK210;HS2310		
UKFC210;HA2310	1-11/16	6-1/2	5-7/16	3-27/32	25/64	5/8	15/32	35/64	1-7/64	4.3307	1-15/32	1-7/8	2.165	1/2	UK210;HA2310		
UKFC210;HE2310	1-3/4														UK210;HE2310		
UKFC211;H2311	50	185	150	106.1	13	19	12	15	31	125	41.5	51	59	M16	UK211;H2311	FC211	4.16
UKFC211;HS2311	1-7/8														UK211;HS2311		
UKFC211;HA2311	1-15/16	7-9/32	5-29/32	4-3/16	33/64	3/4	15/32	19/32	1-7/32	4.9213	1-41/64	2-1/64	2.323	5/8	UK211;HA2311		
UKFC211;HE2311	2														UK211;HE2311		
UKFC212;H2312	55	195	160	113.1	17	19	12	15	36	135	48	61.5	62	M16	UK212;H2312	FC212	4.99
UKFC212;HS2312	2-1/8	7-11/16	6-19/64	4-29/64	43/64	3/4	15/32	19/32	1-27/64	5.3150	1-57/64	2-27/64	2.441	5/8	UK212;HS2312		
UKFC213;H2313	60	205	170	120.2	16	19	14	15	36	145	49	60.5	65	M16	UK213;H2313	FC213	5.56
UKFC213;HA2313	2-3/16														UK213;HA2313		
UKFC213;HE2313	2-1/4	8-5/64	6-11/16	4-47/64	5/8	3/4	35/64	19/32	1-27/64	5.5118	1-15/16	2-25/64	2.559	5/8	UK213;HE2313		
UKFC213;HS2313	2-3/8														UK213;HS2313		
UKFC215;H2315	65	220	184	130.1	18	19	16	18	40	160	53.5		73	M16	UK215;H2315	FC215	7.67
UKFC215;HA2315	2-7/16	8-21/32	7-1/4	5-1/8	23/32	3/4	5/8	23/32	1-37/64	6.2992	2-7/64		2.874	5/8	UK215;HA2315		
UKFC215;HE2315	2-1/2														UK215;HE2315		
UKFC216;H2316	70	240	200	141.4	18	23	16	18	42	170	57		78	M20	UK216;H2316	FC216	9.41
UKFC216;HA2316	2-11/16	9-29/64	7-7/8	5-9/16	23/32	29/32	5/8	23/32	1-21/32	6.6929	2-1/4		3.071	3/4	UK216;HA2316		
UKFC216;HE2316	2-3/4														UK216;HE2316		
UKFC217;H2317	75	250	208	147.1	18	23	18	20	45	180	59		82	M20	UK217;H2317	FC217	11.23
UKFC217;HA2317	2-15/16	9-27/32	8-3/16	5-51/64	23/32	29/32	23/32	25/32	1-25/32	7.0866	2-21/64		3.228	3/4	UK217;HA2317		
UKFC217;HE2317	3														UK217;HE2317		
UKFC218;H2318	80	265	220	155.5	22	23	18	20	50	190	64.5		86	M20	UK218;H2318	FC218	13.34
UKFC218;HA2318	3-3/16	10-7/16	8-21/32	6-1/8	55/64	29/32	23/32	25/32	1-31/32	7.4803	3-35/64		3.386	3/4	UK218;HA2318		